

CCP-33X-170

Pump Specifications

Maximum output {fully variable}	224 cu yds/hr {171m3/hr.}
Concrete cylinder {hard chromed}	9" x 83" {230 mm x 2100 mm}
Strokes per minute	34
Concrete pressure {rod side}	1043 PSI {72 Bar}
Hopper capacity	21 cu/ft {600 liters}
S-Tube	8" x 7" {200 mm x 180 mm}
Hydraulic pump	Rexroth A11L0260
Cycling system	All hydraulic sensing with manual overrides
Max. aggregate size	2 1/2"

Boom Specifications

4 section roll & fold {vert.reach}	106'3" {33 M}
Maximum horizontal reach	93'5" {28 M}
Unfolding height	28'6" {8.7 M}
Rotation	370 degree
Section articulation	94 / 181 / 240 / 245
Proportional Boom	yes
Delivery line	5" {125 mm}
1st Section	25' 11" {7.9 M}
2nd Section	23' 7" {7.2 M}
3rd Section	23' {7.0 M}
4th Section	23' {7.0 M}

Outrigger Specifications

All hydraulic X Style	
Front spread	20' 8" {6.3 M} L to R
Rear spread	21' {6.4 M} L to R

Standard Features

- Cable remote control and one radio remote control
- Flushing water system with 158 gallon {600 L} tank
- Hopper vibrator
- Automatic lubrication system {hopper only}
- Tool Box
- Aluminum Package
- 5" Whip hose
- Conform Ultra 2 boom pipe

Truck-Mounted Specifications

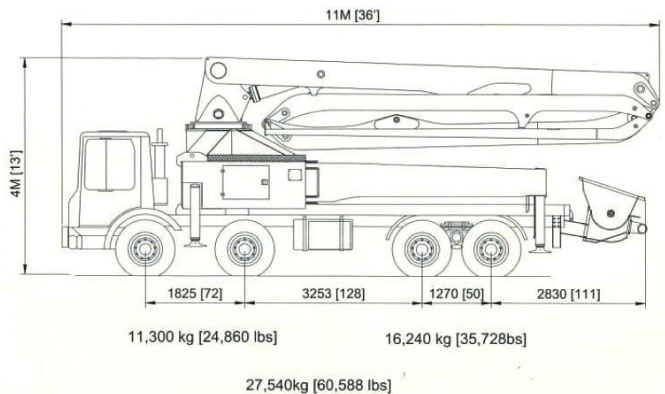
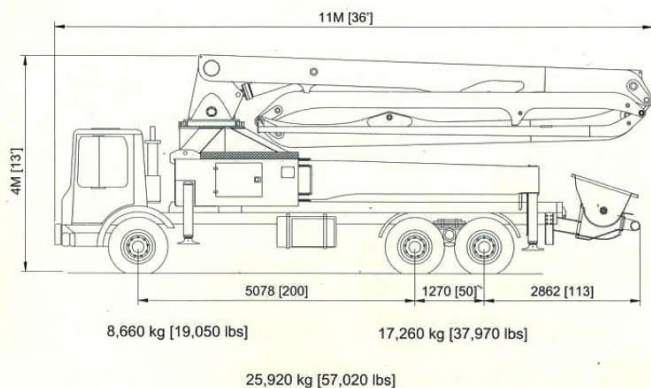
Model shown:	Mack MR688S
Horse power:	400 HP
Transmission:	RTO-14908LL Eaton\Fuller 10 Speed with cooler

Standard features:

- | | |
|--------------------|----------------------------|
| - Air conditioning | - Aluminum wheels |
| - Cruise control | - Power leash engine brake |
| - Aluminum fenders | - Aluminum air tank |
| - Chromed bumper | |

Concord reserves the right to make changes to these specifications

Weight Diagrams



Working Diagram

