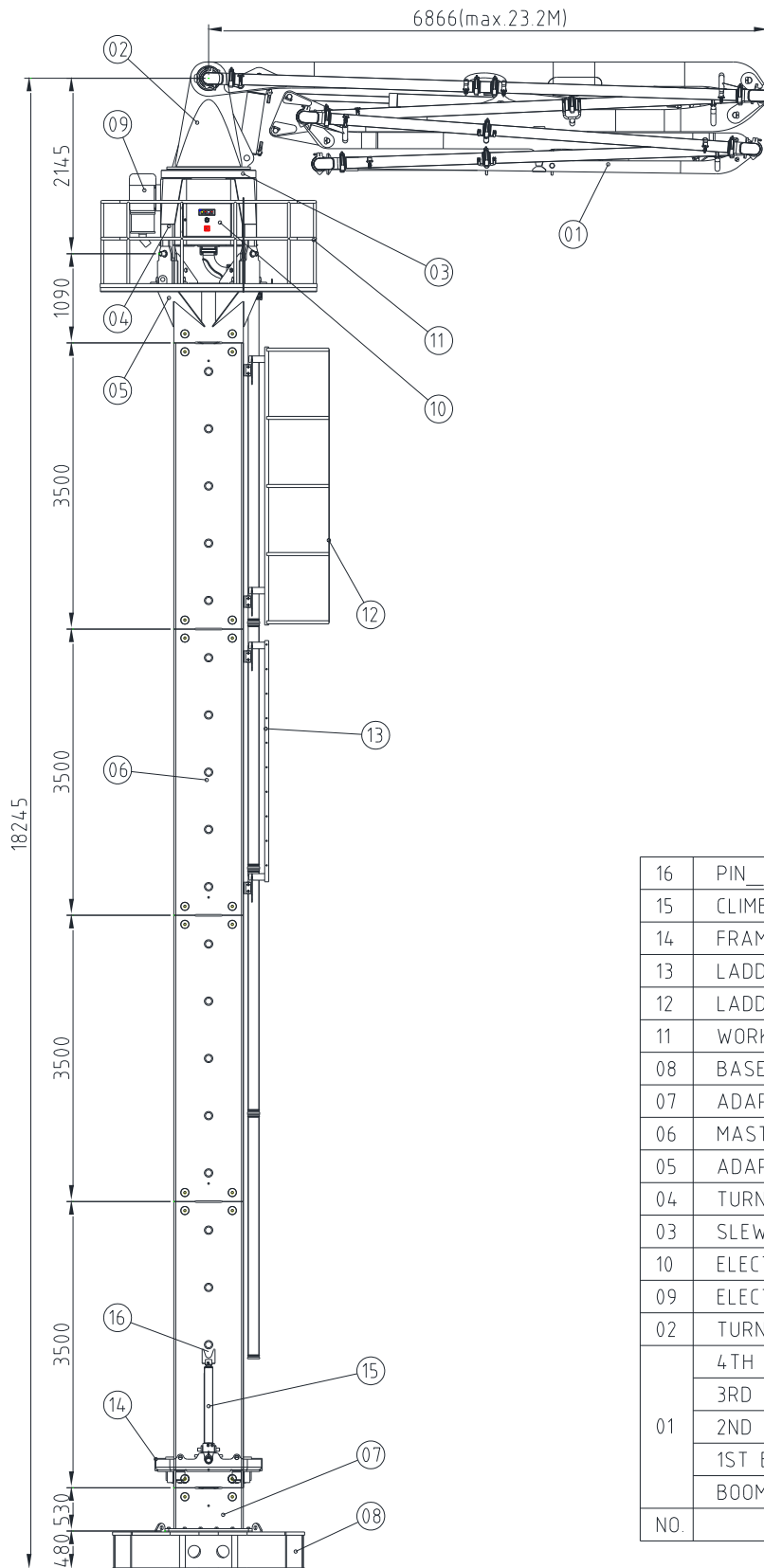




KB-24Z

Placing Boom System Layout



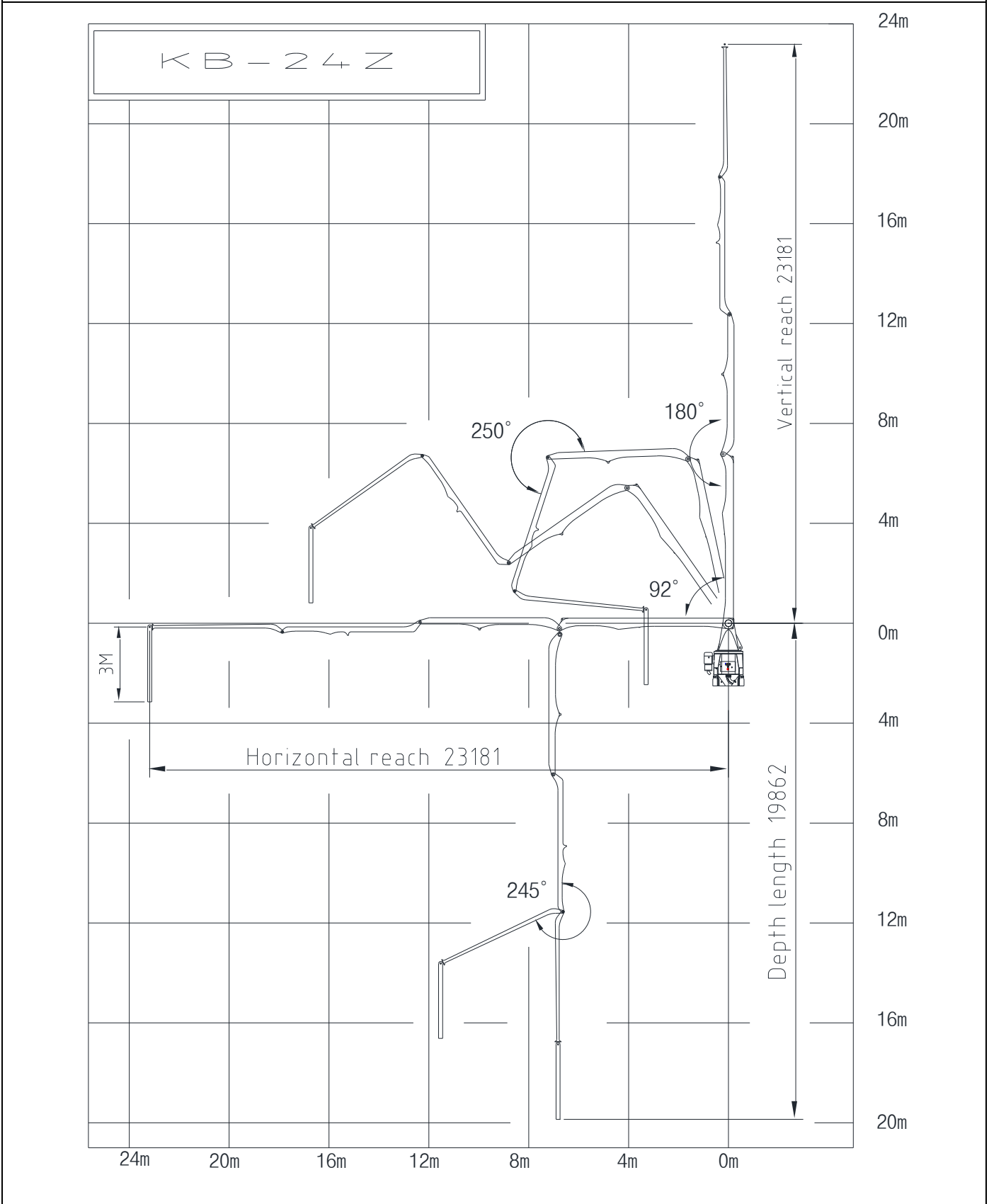
16	PIN_CLIMBING	
15	CLIMBING_CYLINDER	
14	FRAME_CLIMBING	
13	LADDER_LOW	
12	LADDER_STD	
11	WORKING_PLATFORM	
08	BASE_ANCHOR	1950 kg
07	ADAPTER_ANCHOR	620 kg
06	MAST_3.5M	1650 kg
05	ADAPTER_TURNING BASE	1100 kg
04	TURNING BASE	1950 kg
03	SLEWING GEAR	
10	ELECTRIC PANEL	
09	ELECTRIC MOTOR+BOOM PUMP	
02	TURN TABLE	300 kg
01	4TH BOOM ASS'Y	350 kg
	3RD BOOM ASS'Y	530 kg
	2ND BOOM ASS'Y	800 kg
	1ST BOOM ASS'Y	1250 kg
	BOOM ASS'Y(M24Z-4SEC)	2930 kg
NO.	ITEM	WEIGHT



KCP CONCRETE PUMPS

KB-24Z

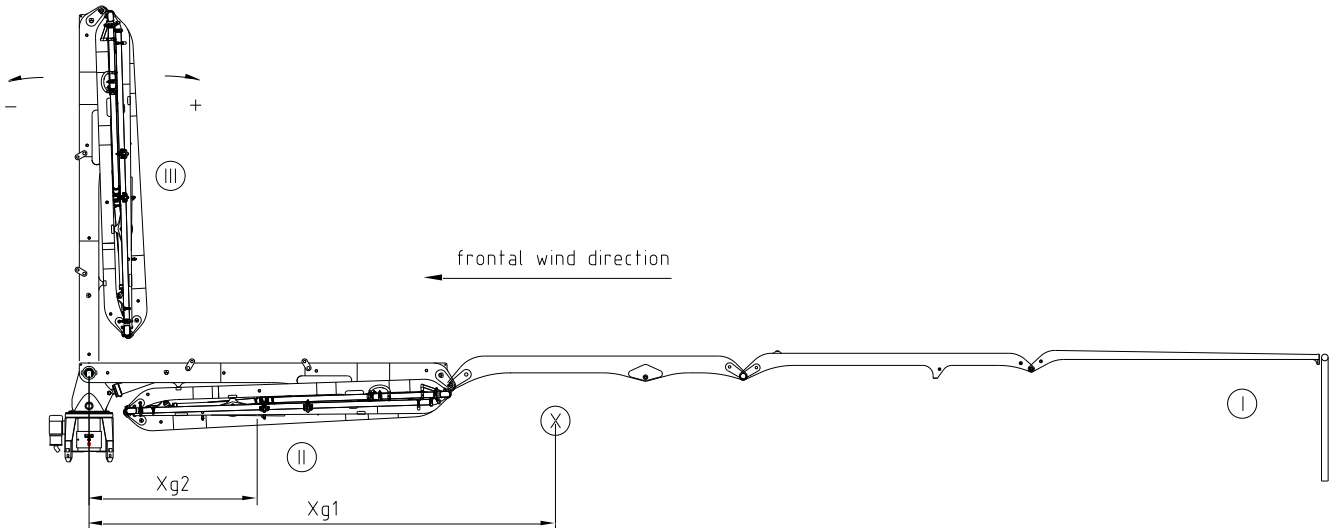
Placing Boom System Working diagram





KB-24Z

Placing Boom System Technical data



MOMENT [KNm]

Position of boom	Moment(boom side) → +
I with concrete in pipe-line	→ 400 KNm
II without concrete in pipe-line	→ 100 KNm
III without concrete in pipe-line	→ 13 KNm

Total weight [kg]– boom, table, base(with oil), motor, pump, (+concrete)

In operation	5,800 kg	Out of operation	5,180 kg
--------------	----------	------------------	----------

Wind-exposed areas [m²]

Position of boom	Wind-exposed area	Center of gravity distance	remark
I	10.1 m ² boom-side	Xg1 = 7.9 m	Wind surface perpendicular to frontal wind
II	10.1 m ² boom-side	Xg2 = 2.9 m	
I/II	2.3 m ²	Ys = 1.2 m	Exposed area in frontal wind
III	7 m ²	Ys = 3.9 m	

Comment : lateral thrust due to wind is calculated according to DIN 1055

Absolute altitude [m]	0~8	8~20	20~100	Above 100
W [N/m ²]	800	1280	1760	2080

$$F = W \times A$$

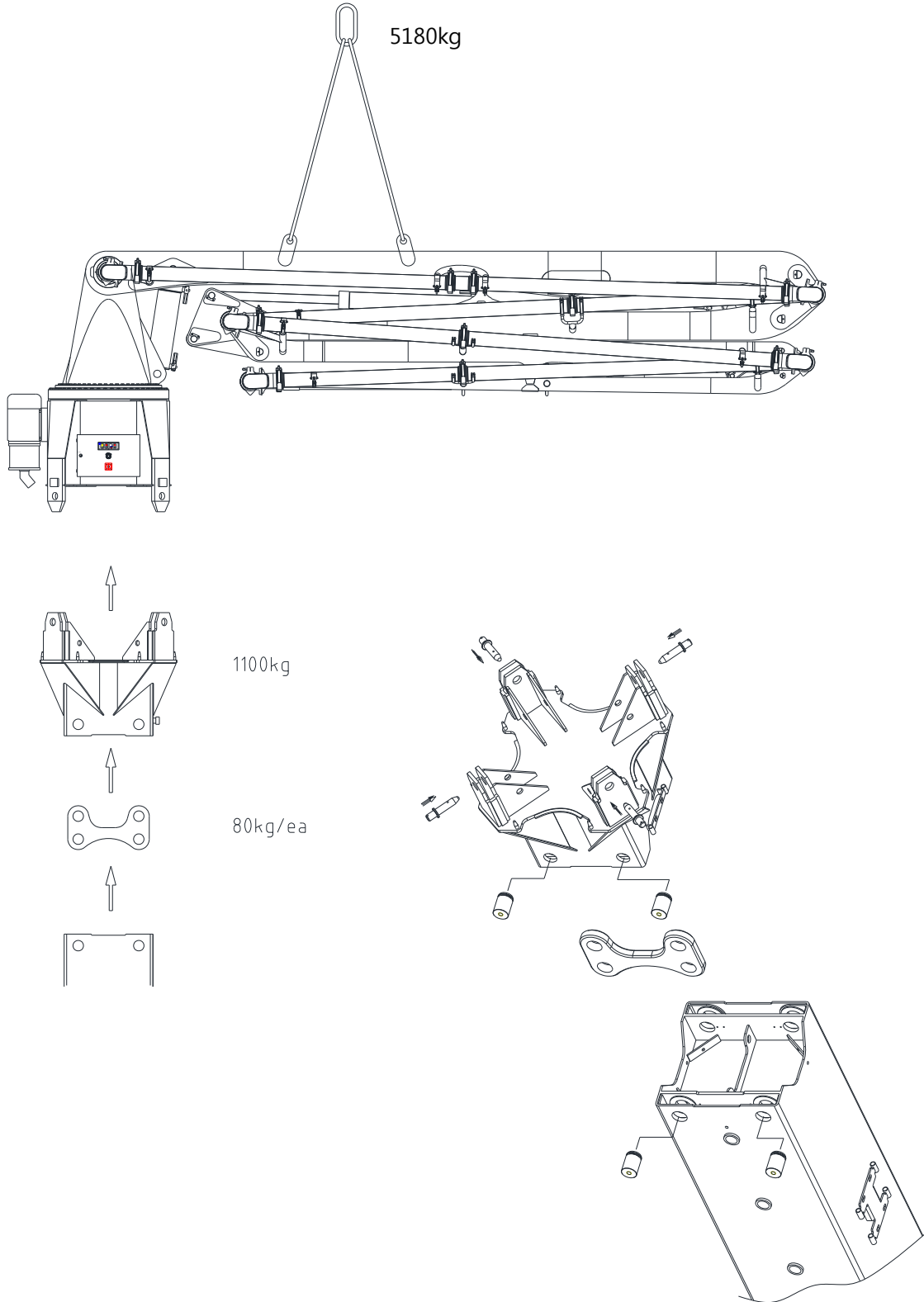
F : wind force	W : lateral thrust due to wind	A : wind surface area
----------------	--------------------------------	-----------------------



KCP CONCRETE PUMPS

KB-24Z

PLACING BOOM SYSTEM ----- [BOOM ASS'Y & UPPER PARTS]

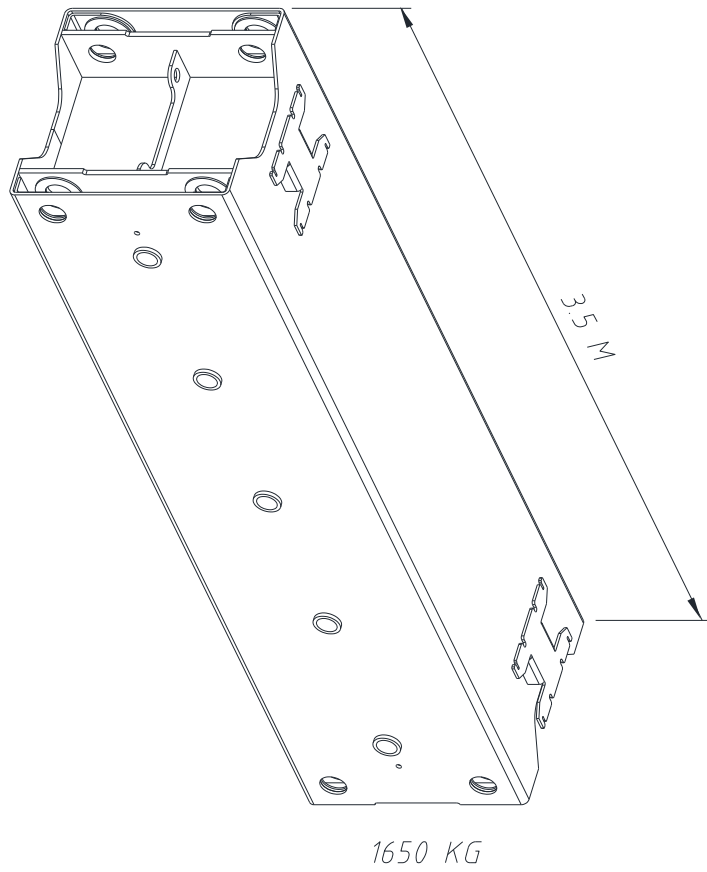




KCP CONCRETE PUMPS

KB-24Z

PLACING BOOM SYSTEM ----- [MAST]

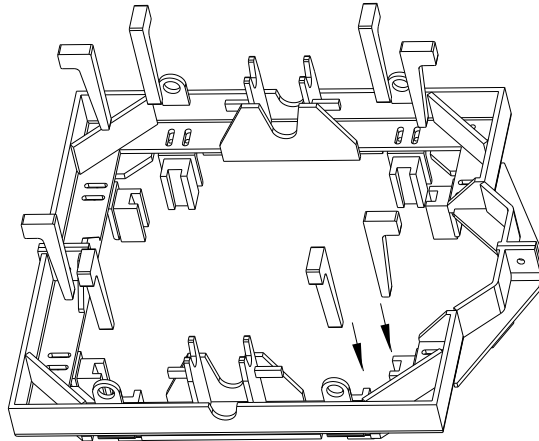




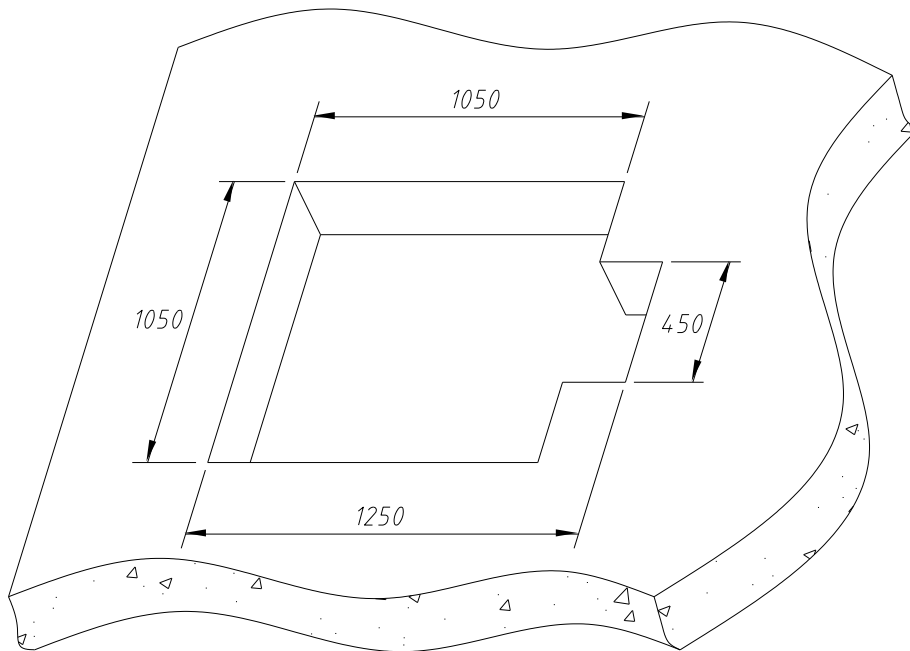
KCP CONCRETE PUMPS

KB-24Z

PLACING BOOM SYSTEM ----- [FRAME _ CLIMBING]



370 KG

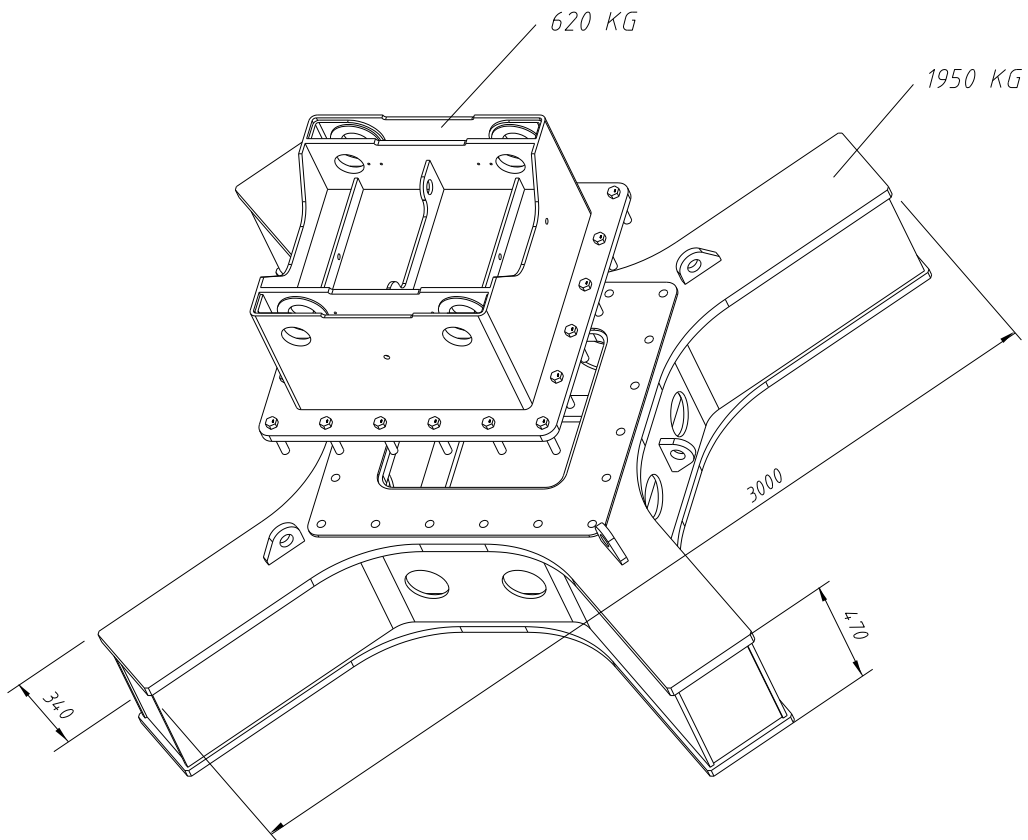




KCP CONCRETE PUMPS

KB-24Z

PLACING BOOM SYSTEM ----- [BASE_ANCHOR & ADAPTER_ANCHOR]

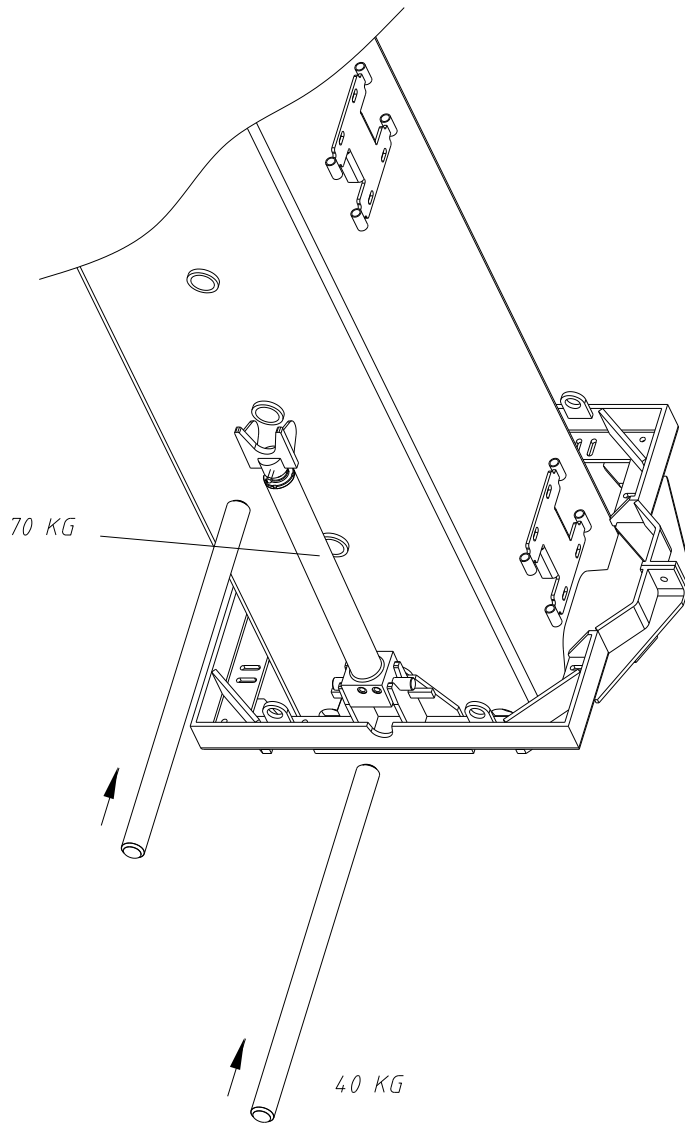




KCP CONCRETE PUMPS

KB-24Z

PLACING BOOM SYSTEM ----- [CLIMBING_CYLINDER]





KCP CONCRETE PUMPS

KB-24Z

PLACING BOOM SYSTEM ----- [WORKING PLATFORM & LADDER]

